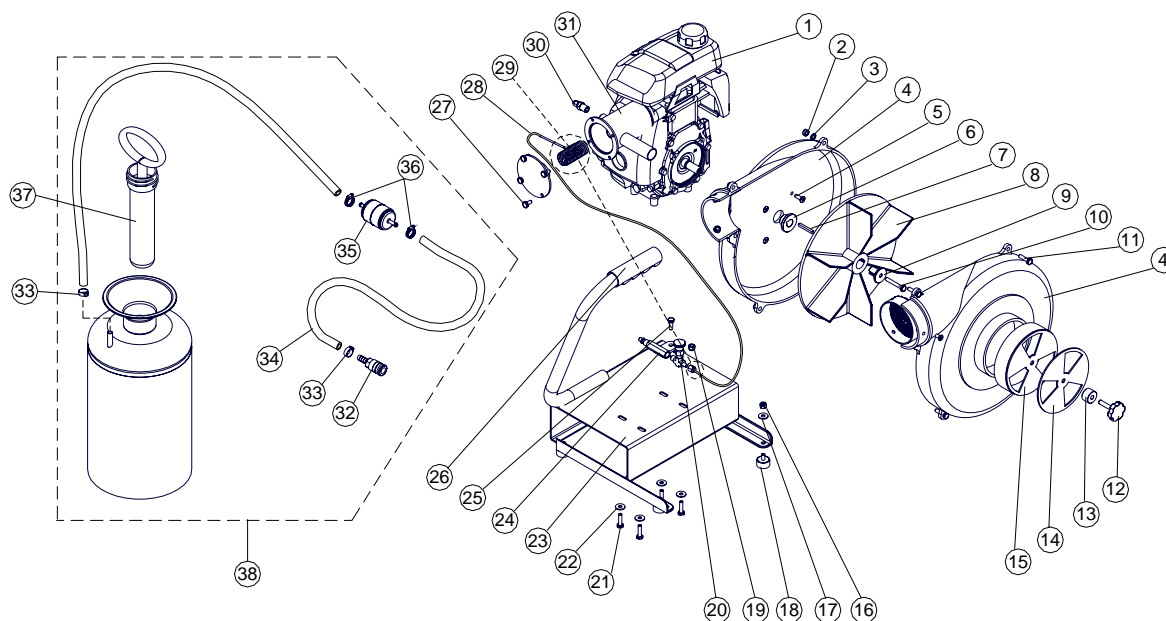


# Power Smoker 2 - Parts Breakdown

This parts breakdown is to help you identify any parts that may need to be replaced or repaired. You should never remove or install the cast aluminum blower. Call Hurco if repairs are required on the Power Smoker 2 blower. **DO NOT ATTEMPT TO MAKE THIS REPAIR ON YOUR OWN.** For help repairing your Power Smoker 2 or ordering parts, call our office at 1-800-888-1436



ITEM	QTY	DESCRIPTION	PT NO.	ITEM	QTY	DESCRIPTION	PT NO.
1	1	2.5 HP HONDA ENGINE	4300-801	20	1	LS NEEDLE VALVE	4300-829
2	5	1/4-20 FHN	901-003	21	4	M6-1.0 X 14 X 12.9 SHCSI	920-205
3	5	1/4" STAR LOCK WASHER	901-023	22	4	1/4" FW	901-020
4	1	* FAN HOUSING ASSEMBLY	4300-803H	23	1	PS2 BASE	4300-806
5	4	1/4-28 X 1" SHCS	901-306	24	1	PS2 DAMPER SPACER	4300-832
6	1	FAN BUSHING, FEMALE	4300-807A	25	1	1/4-20 X 3/4" HCS	901-102
7	1	KEYSTOCK	4300-105	26	1	RUBBER HANDLE	4300-310
8	1	FAN	4300-803	27	4	1/4-20 X 1/2" HCS	901-101
9	1	FAN BUSHING, MALE	4300-807	28	1	COPPER COIL	4300-826
10	1	1/4-28 X 1 1/2" SCHS	4300-830	29	1	** LS REPLACEMENT COIL	4300-826A
11	5	1/4-20 X 1" HCS	901-103	30	1	FITTING	4300-827
12	1	KNOB, DAMPER	4300-404	31	1	PS2 LS MUFFLER	4300-810
13	1	DAMPER SPACER	4300-832	32	1	QUICK COUPLER	4300-304
14	1	DAMPER	4300-809	33	2	CRIMP HOSE CLAMP	4300-330
15	1	DAMPER HOUSING	4300-808	34	1	HOSE	4300-302
16	4	1/4" NYLOCK HN	901-001	35	1	IN-LINE FILTER	4300-335
17	4	1/4" FW	901-020	36	2	HOSE CLAMP	4300-334
18	4	RUBBER PAD	4300-811	37	1	PLUNGER (PLUNGER ONLY)	3-8803-A
19	1	1/4" NYLOCK HN	901-001	38	1	*** LS TANK (COMPLETE UNIT)	4300-300A

\*INCLUDES REAR & FRONT HOUSING.

\*\*INCLUDES REPLACEMENT COIL, FITTING, AND FERRELS.

\*\*\*INCLUDES ALL COMPONENTS IN BOXED AREA. 32, 33, 34, 35, 36, AND 37.