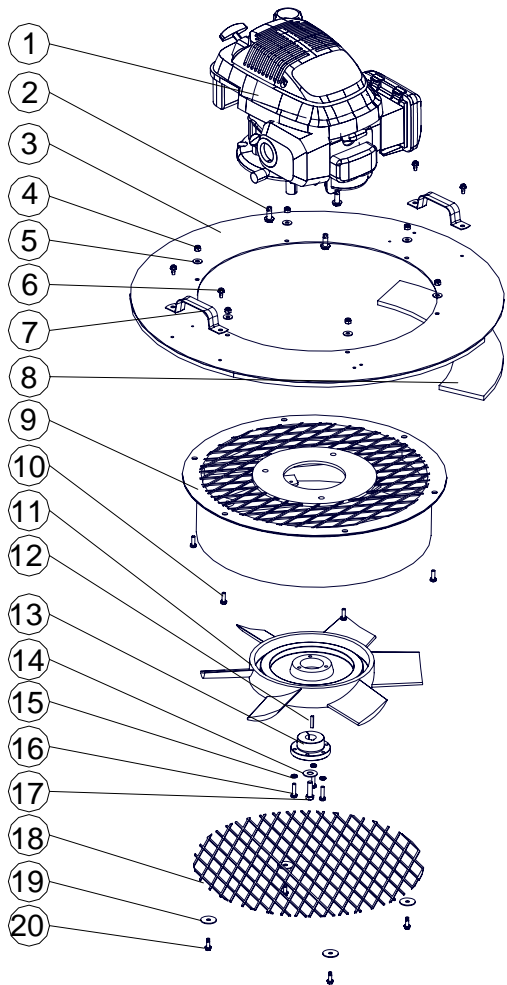
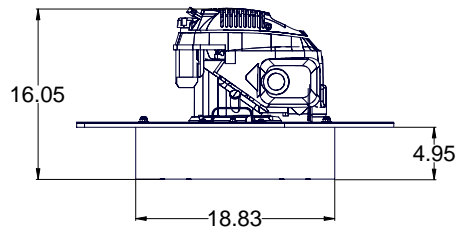
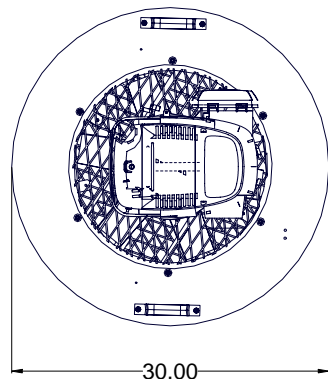


Power Smoker Parts Breakdown

This parts breakdown is to help you identify any parts that may need to be replaced or repaired. You should never remove or install the cast aluminum impeller without following the instructions found on page 12 of this manual. For help repairing your Power Smoker or ordering parts, call our office at 1-800-888-1436.



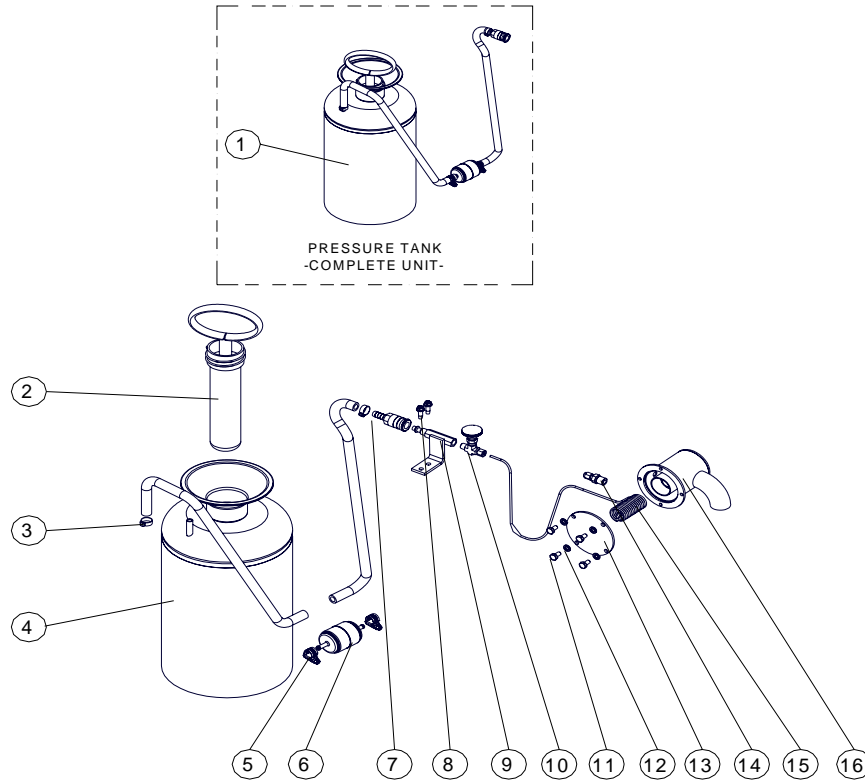
REF NO.	PART DESCRIPTION	NO. REQD.	PART NO.
1A	BRIGGS & STRATTON ENGINE (5.5 HP)	1	4300-101
1B	HONDA ENGINE (5.5 HP)	1	4300-102
2	ENGINE BOLT	3	903-101
3	FLANGE	1	4300-108
4	1/4-20 NYLOCK HEX NUT	6	901-001
5	1/4 FLATWASHER	6	901-201
6	1/4-20 X 1/2" TS HCS	4	901-201
7	HANDLE	2	909
8	RUBBER SEAL	4	4300-111
9	RIP18 BASE FRAME	1	4300-103
10	1/4-20 X 3/4" HCS	6	901-102
11	18" RIPCORDER IMPELLER	1	PRP18
12A	KEYSTOCK (BRIGGS & STRATTON)	1	4300-105
12B	WOODRUFF KEY (HONDA)	1	4300-110
13	BROWNING TAPERLOCK BUSHING 7/8"	1	4300-104
14	7/16 FLATWASHER	1	904-020
15	5/16" LOCKWASHER	3	902-030
16	5/16-18 X 1 HCS	3	902-103
17	3/8-16 x 1.5 HCS	1	903-104
18	BOTTOM PROTECTION SCREEN	1	4300-107
19	1/4" FENDERWASHER	4	901-024
20	1/4-20 X 3/4" TCS	4	901-202



80 LBS. DRY WEIGHT

LiquiSmoke System Parts Breakdown

This parts breakdown is to help you identify any parts that may need to be replaced or repaired.



REF NO.	NO.	PART DESCRIPTION	PART NO.
1	1	RIPCORD LIQUISMOKE PRESSURE TANK (COMPLETE)	4300-300A
2	1	TANK PLUNGER	4300-300-13
3	2	SMOKER CRIMP CLAMP	4300-330
4	1	TANK	4300-301
5	2	1/4" HOSE CLAMP	990-410
6	1	IN-LINE FILTER	4300-335
7	1	FEMALE QUICK COUPLER	4300-304
8	2	SELF TAPPING HEX SCREWS 1/2" X 1/2"	901-201
9	1	"L" BRACKET	4300-313
10	1	NEEDLE VALVE	4300-829
11	4	CAPSCREW 1/2" X 1/2" NC	901-101
12	4	LOCK WASHER 1/4"	901-030
13	1	MUFFLER COVER	4300-842
14	1	COUPLER 1/8" X 1/4"	4300-827
15	1	REPLACEMENT COIL (WITH FITTINGS)	4300-826A
16A	1	BRIGGS LIQUISMOKE MUFFLER (inc. cover)	4300-306
16B	1	HONDA LIQUISMOKE MUFFLER (inc. cover)	4300-308