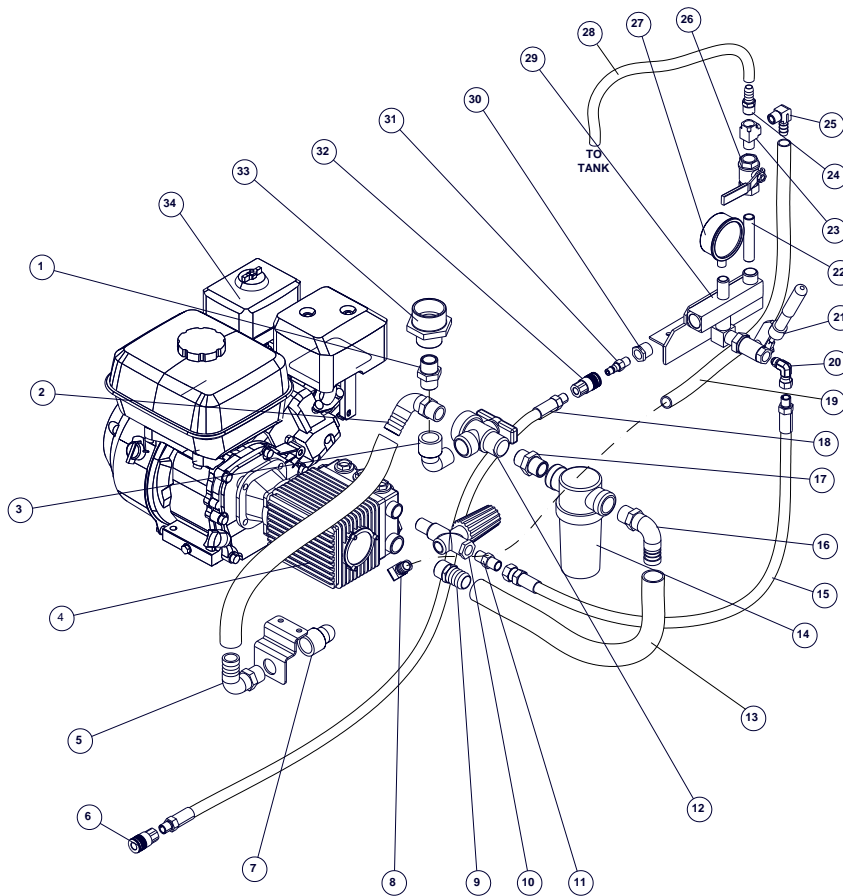


ITEM	QTY	DESCRIPTION	PART NO.	ITEM	QTY	DESCRIPTION	PART NO.
1	1	BASE	4200-101-05	9	1	TANK	4200-911
2	2	WHEEL	4200-912	10	1	TANK CAP	4200-519
3	2	AXLE SPACER	4200-304	11	1	LIFT HANDLE	4200-920
4	1	AXLE	4200-302	12	2	LIFT HANDLE BRACKET	4200-921
5	1	DRAIN BRACKET	4200-922	13	1	TANK MOUNTING PLATE	4200-913
6	2	WHEEL KIT STAND	4200-303	14	1	HOSE BRACKET	4200-914
7	1	MOUNTING PLATE	4200-915	15	1	PUMP PROTECTION FRAME	4200-102
8	2	WHEEL KIT HANDLE	4200-309	16	1	HANDLE WHEEL KIT*	HWK

* Wheel kit includes #s 2, 3, 4, 6, & 8 plus hardware



ITEM	QTY	DESCRIPTION	PART NO.	ITEM	QTY	DESCRIPTION	PART NO.
1	1	NIPPLE 12MP-12MP	961-M34	18	1	50' PRESSUE HOSE	962-138
2	1	ELBOW 12MP-16HB	961-EL34100	19	1	SUCTION HOSE	PVC38X21
3	2	ELBOW 12FP-12MP	961-SE34	20	1	FITTING 8MP-8FJ-90	961-6501-8-8
4	1	GEAR PUMP	4200-900	21	1	APOLLO VALVE	4200-903
5	1	ELBOW 12MP-16HB	961-EL100	22	1	PIPE NIPPLE X 4"	961-QUE-6-N3
6	1	QUICK COUPLER	961-BH2-60	23	1	TEE	961-2225P-6
7	1	FP HEX NUT	961-B35	24	1	HOSE BARB 6MP-6HB	961-125HBL-6-6
8	1	ELBOW 6MP-6HB	961-129HB-6-6	25		SEE IETM 8	
9	1	HOSE BARB 8MP-16HB	961-A12100	26	1	BALL VALVE	961-V502SS-6
10	1	UNLOADER VALVE	4200-902	27	1	PRESSURE GAUGE	4200-905
11	1	BUSHING 6FP-8MP	961-5406-8-6	28	1	HOSE	PVC38X12
12	1	3 WAY VALVE	2104-002-22	29	1	MANIFOLD	4200-916
13	1	SUCTION HOSE	PVC1X14	30	1	NIPPLE 4MP-8MP	961-5404-6-4
14	1	FILTER ASSEMBLY COMPLT	4200-111	31	1	QUICK COUPLER, MALE	961-BH2-61
15	1	UNLOADER HOSE	962-139	32		SEE ITEM 6	
16		SEE ITEM 2		33		N/A	
17		SEE ITEM 1		34	1	ENGINE	4200-104