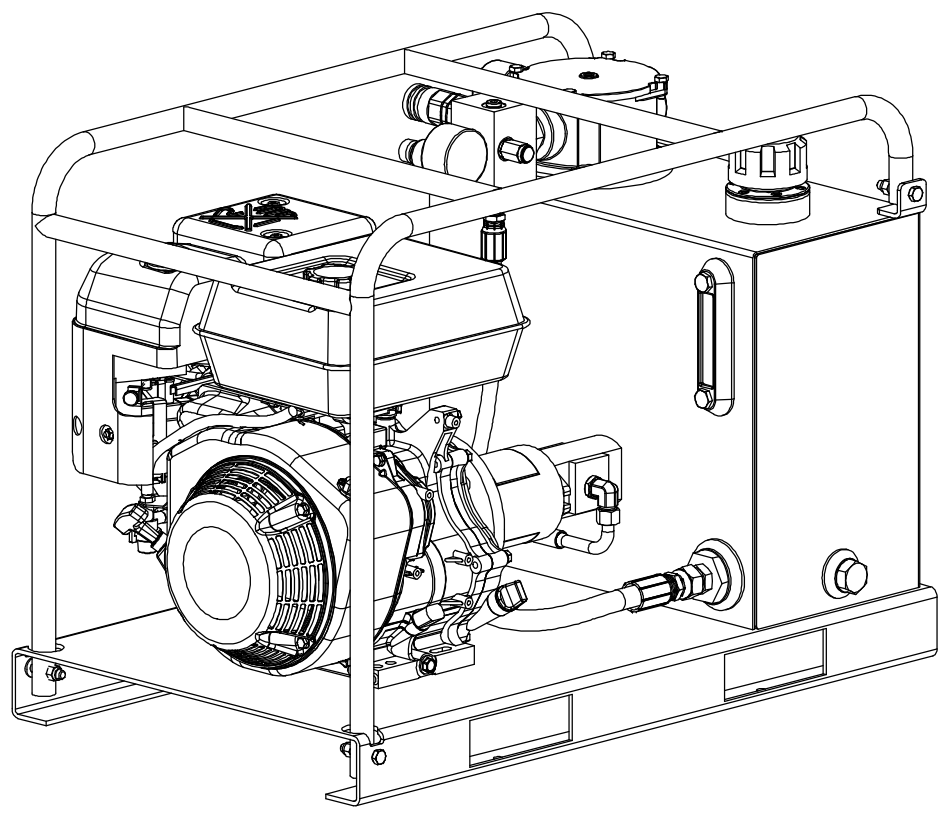
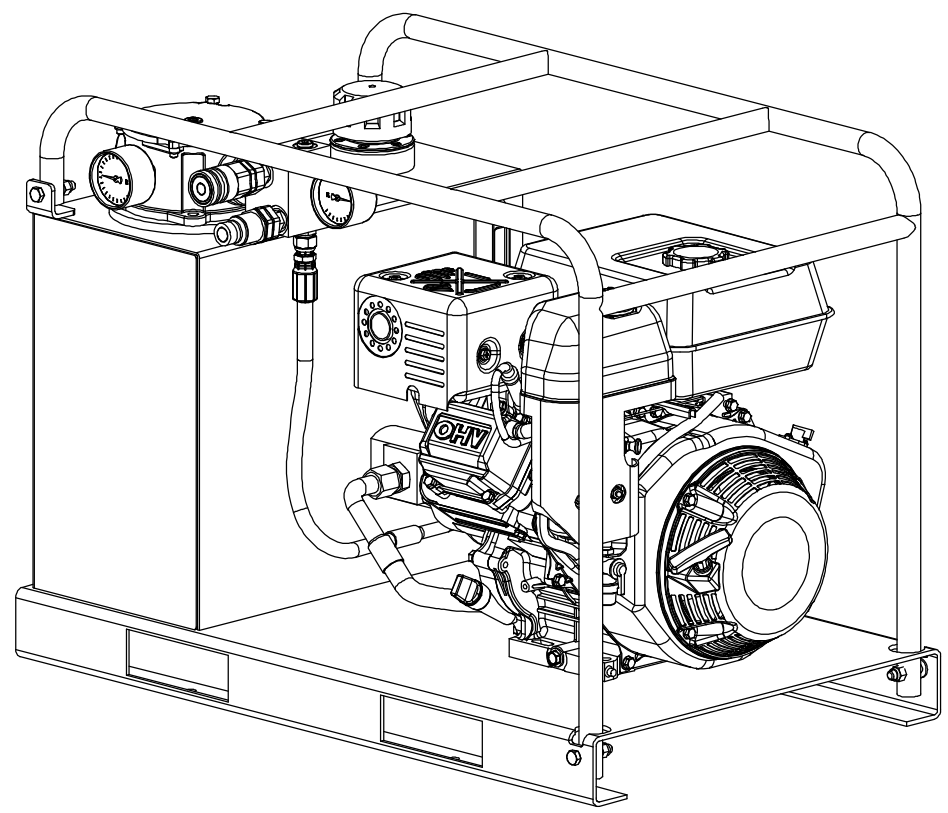
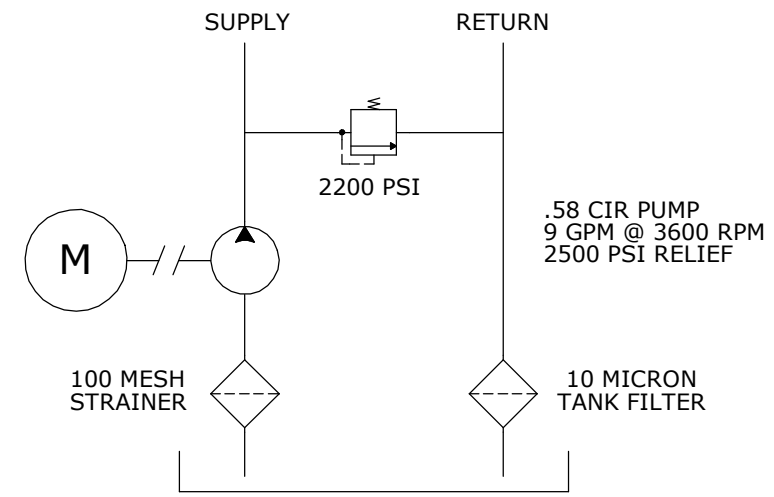


ITEM NO.	PART NUMBER	DESCRIPTION	QTY.
1	B1681001	BAR GUARD ASSEMBLY	1
2	B1680001	13 GALLON POWER UNIT FRAME	1
3	FASG-05M-T-PG	SIGHT/TEMP GAGE, PLASTIC GUARD, METRIC THREADS	1
4	EX-40 SUBARU	EX400SE5020 14 HP, ELECTRIC START, 1" KEY, 16AMP, OIL WARNING	1
5	801301009	M.A13 1/2" NPT, FLAT FACE NIPPLE, 1/2" F NPT, ISO 16028	1
6	801301010	F.A13, 1/2" FEMALE COUPLING FLAT FACE, 1/2" FNPT, ISO 16028	1
7	6401-08-08	3/4-16M x 1/2" M O-RING x PIPE STRAIGHT THREAD TO PIPE	2
8	08U-648	JIC LONG 90 FEMALE SWIVEL	1
9	08U-608	JIC FEMALE SWIVEL	1
10	FORCE-EZ-FLEX-1/2	1/2" 2 WIRE SAE 100R16 HYDRAULIC HOSE H268-8	2
11	26003-RZG	0.58 5/8" KEY #10 x #12 SIDE PORT GEAR PUMP	1
12	6801-08-10	3/4-16M x 7/8-14M 90 DEG JIC x O-RING THREADED ELBOW	1
13	6400-08-08	3/4-16M x 3/4-16M FLARE x O-RING CONNECTOR	1
14	6400-12-12	1-1/16-12M x 1-1/16-12M FLARE x O-RING CONNECTOR	2
15	6401-20-20	1-5/8-12 x 1-1/4" O-RING x PIPE STRAIGHT THREAD ADAPTER	1
16	2014-20	1-1/4" SUCTION & RETURN HOSE SAE 100R4 GR4 LOW PRESSURE	2
17	12U-612	JIC FEMALE SWIVEL	1
18	12U-672	JIC 90 FEMALE SWIVEL	1
19	TMST2012-100RB3	100 MESH SUCTION STRAINER #20 ORB MALE x #12 ORB FEMALE	1
20	TS-1200-25-1-0/SRE-409-10	TANK MOUNTED FILTER W/ SRE-409-10 ELEMENT	1
21	C11172	RELIEF MANIFOLD	1
22	57XL-40	LENZ 3" 40 MICRON FILLER BREATHER SS MESH	1
23	E57552A	PUMP BRACKET	1
24	L090-095-SOX	SOX SPACER SPIDER	1
25	L095-1	1" COUPLING 68514411091	1
26	L095-5/8	5/8 COUPLING 5/32 KEY 68514437242	1
27	6408-12	1-1/16-12M HEX HEAD O-RING STRAIGHT THREAD PLUG	1
28	6408-H08	1/2" M HOLLOW HEX O-RING PLUG	1
29	25901-SST-04000	GAUGE, 0-4000 PSI STEM MOUNT 2.5" LIQ FILLED SAE-4 THREAD	1
30	76065	NYLON FLAT 1/2" WASHER FOR 30 GAL. ROUND TANK	8
31	20-400FG-01B-CUSTOM-60	0-60 PSI BYPASS GAUGE, 1/8 NPT BACK MOUNT, 2" DIAL, LIQ FILL	1

REVISIONS				
REV	ECO NUMBER	DESCRIPTION	DATE	BY
A	XXXXX	INITIAL RELEASE	4/27/2012	DJS



THIS DRAWING IS THE PROPERTY OF FORCE AMERICA, INC. IT CONTAINS PROPRIETARY INFORMATION AND IS TRANSMITTED AS A CONFIDENTIAL DISCLOSURE. IT MAY NOT BE COPIED OR ITS CONTENTS REVEALED TO OTHERS WITHOUT WRITTEN CONSENT OF FORCE AMERICA, INC.

MATERIAL NA		DRAWN BY DJS
TOLERANCE: INCHES UNLESS OTHERWISE SPECIFIED: DEC. XX ±.060 DEC. XXX ±.030 ANGULAR: MACH ± 5°		DATE 4/27/2012
TITLE ASSEMBLY, ELECTRIC START POWER PACK, SUBARU, 9 GPM		APPV'D BY
THIRD ANGLE PROJECTION 	SIZE DWG. NO. D 1010708	REV A
SCALE 1:4 DO NOT SCALE DRAWING		SHEET 1 OF 1